



capacitance level indicator CapFox® EFT 20 MS -20 HT

Part no. 5655020HT-L-5B01

capacitance level indicator

benefits

- easy adjustment via magnetic pin
- Degree of protection IP 68 with fixed cable connection
- for tank heights of 100 mm and more
- EX version suitable for mining

Application

Capacitance level indicator with 2-wire or 3-wire technology for continuous level measurement of liquids and bulk solids (flour, sand, cement, plastic granules) in open and closed container, tanks or silos. Particularly suitable for low tank heights.

Description

The capacitance level indicator CapFox® EFT 20 detects the change in electrical capacitance caused by the change in level and converts the amount of change into a current signal (4–20 mA) or a voltage signal (0–10 V). The electronics module is contained in a robust stainless steel housing. Flexible probes or rod probes are available as measurement electrode. For level measurement of adhesive, corrosive or electrically conductive media, the electrodes are available with an insulating coating. If media are stored in tanks made of non-conductive materials or in open containers, the probes must be equipped with an additional coax reference pipe or an earth electrode.

Technical Specifications

Indicator

LED green: Operation
LED orange: status

max. measuring range

MS
≤ 2000 mm
(specify exact probe length when ordering)

Operating temperature range

Medium: -40/+300 °C
HT version: -40/+200 °C
Ambient: -30/+85 °C

Process connection

Tri-Clamp DIN 32676, ø 50.5 mm

material

Housing: Stainless steel 304
MS
Stainless steel 316 L

Supply voltage

DC 9 – 34 V

Output signal

4–20 mA, 2-wire

Current input

max. 20.4 mA

Load $R_{\max} = 700 \Omega$ at $U = 24 \text{ V}$ **Degree of protection**

IP 68 (EN 60529)

Options

- other process connections
- FEP/PFA coatings
- Ex version
- Ex II 1 G Ex ia IIB T4 Ga
- Ex II 1/2 D Ex ia IIIC T120°C Da/Db
- Ex M1 Ex ia I Ma

Electrical connection

Cable gland M12 x 1.5 with fixed cable connection

Cable length: 2 m

Weight

HT version

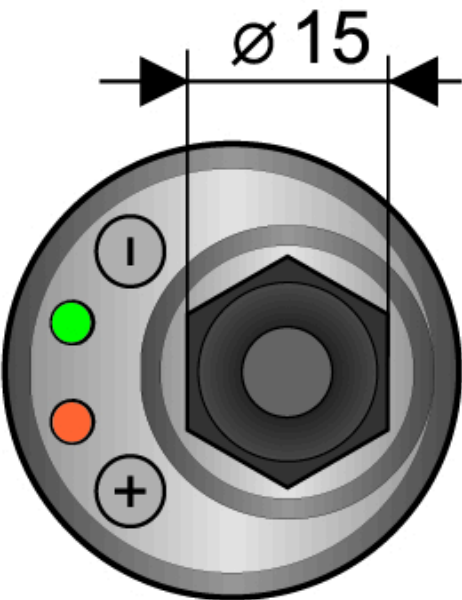
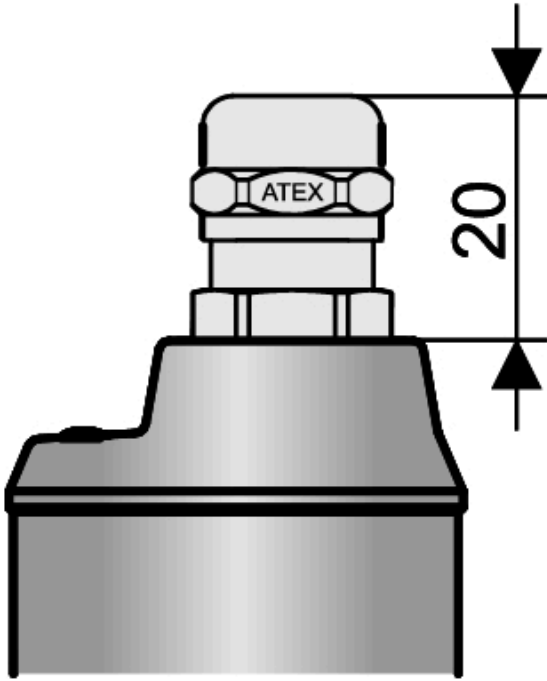
ca. 0.6 kg

Scope of delivery

- CapFox® EFT 20 according to configuration
- magnetic pin

Technical Drawings

Electrical connection D with dust-tight cable gland (ATEX)



Dimensions (mm)

Versions

	model / series	Process connection		Part no.
CapFox® EFT 20 MS	CapFox® EFT 20 MS -20 HT	Tri-Clamp DIN 32676, ø 50.5 mm	●	5655020HT-L-5B01

- in-stock items
- Non-stock items