



## Resistance thermometers WTh 27

**Part no. 32261**

**Resistance thermometers**

### benefits

- suitable for use in mechanical engineering, plant engineering, process engineering chemical industry
- resistance thermometer with Pt100 sensor
- flange connection
- Wetted parts 316 Ti

### Application

Flange-type resistance thermometer for medium pressure and flow loads

### Technical Specifications

#### Sensor

1 x  
3-wire  
Class B, IEC 751

#### Measuring insert

replaceable  
Diameter: 6 mm

#### Thermowell

Ø 11 x 2 mm  
Stainless steel 316 Ti

#### Neck

Ø 11 x 2 mm  
Length: 120 mm  
Stainless steel 316 Ti

#### Process connection

flange as per EN 1092-1 type B 1  
Stainless steel 316 Ti  
Nominal diameter: DN 20  
Nominal pressure: PN 40

#### Installation length

160 mm

#### Connection head

Type B As per DIN 43729  
aluminium die cast

#### Electrical connection

Cable gland

#### Degree of protection

IP 54 (EN 60529)

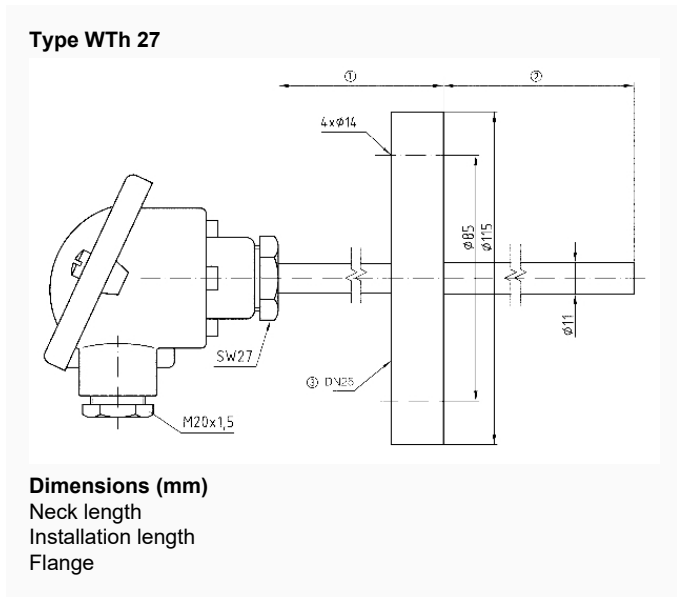
#### Measuring range

-35/+400 °C

**Options**

- Sensor class A
- reduced measuring tip (6 mm)
- Transmitter installation
- other thermowell materials
- other process connections
- other installation lengths
- other connection heads

**Technical Drawings**



**Versions**

	Installation length	Part no.
Resistance thermometers WTh 27	160 mm	32261

- in-stock items
- Non-stock items