

bimetal stainless steel thermometer BiTh 63 E

Part no. 66135312AFG4D8

bimetal stainless steel thermometer BiTh E

benefits

- suitable for use in mechanical engineering, plant engineering, process engineering or food industry
- ideal for hygienic processes
- accuracy class 1 as per EN 13190
- for temperatures of the medium of up to 160 °C
- with adapter ring for thermowell Ø 18 mm

Application

For corrosive media. Suitable for a great range of industrial applications.

Technical Specifications

Type

D3

Nominal size

63

measuring element

Bimetal helix

accuracy class

1 (EN 13190)

ranges °C

0/60

Application area (EN 13190)

continuous load: Measuring range

short-term: Range

Operating pressure at thermowell

(not included in scope of delivery)

max. 25 bar

Degree of protection

IP 43 (EN 60529)

Connection

Stem: Stainless steel 316 L, Ø 8 mm

Stem: fixed male connection, fixed G $\frac{1}{2}$ B

mounting position

centre back

Dial

Aluminium, white

Scaling: black

Pointer

Aluminium, black

Housing

Stainless steel 304

push on bezel

Stainless steel 304

window

Instrument glass

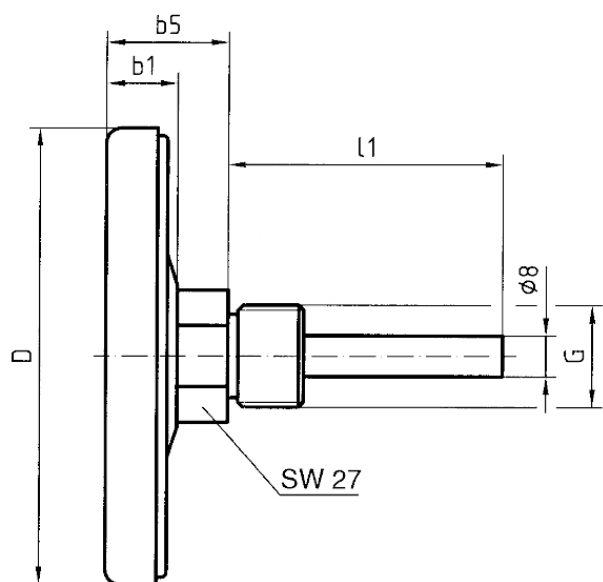
Options

- Thermowell G $\frac{1}{2}$ B, stainless steel 316 Ti/316 L
- other connection designs
- other ranges

- other stem lengths

Technical Drawings

centre back connection, fixed male connection



Dimensions (mm)

NG	D	b1	b5	l1	G
63	63	15	27	63	G½B
63	63	15	27	80	G½B
63	63	15	27	100	G½B
80	80	15	28	63	G½B
80	80	15	28	80	G½B
80	80	15	28	100	G½B
100	100	17	29	63	G½B
100	100	17	29	80	G½B
100	100	17	29	100	G½B

Versions

Type	housing ø	moun- ting po- sition	Connec- tion	Range	For ther- mowell with length L1	Stem length L1	Type	Type	Part no.
BiTh 63 E	63 mm	centre back	fixed male connec- tion, fixed G1½B	0/60 °C		200 mm	BiTh 63 E	D312	● 66135312AF- G4D8

- in-stock items
- Non-stock items