



In-line chemical seal RD 80

Part no. 31358

In-line chemical seal RD 80 intermediate flange version

benefits

- easy intermediate flange installation in the pipe
- various nominal sizes
- various nominal pressures
- Special materials (option)

Application

For use with Bourdon tube pressure gauges, pressure transducers or pressure switches. For flowing, corrosive and highly viscous media, for direct installation in pipes.

Technical Specifications

Process connection/tubus

Stainless steel 316 L
intermediate flange version for flanges as per EN 1092-1 type B 2

diaphragm

Stainless steel 316 L, welded to body, no dead space

Instrument connection

Stainless steel 316 L
G $\frac{1}{2}$ female thread

Options

- coatings
- Cooling element (> 100 °C)
- Capillary tube
- other filling liquids

pressure transmission liquid

Paraffin oil (FM 09)

pressure range

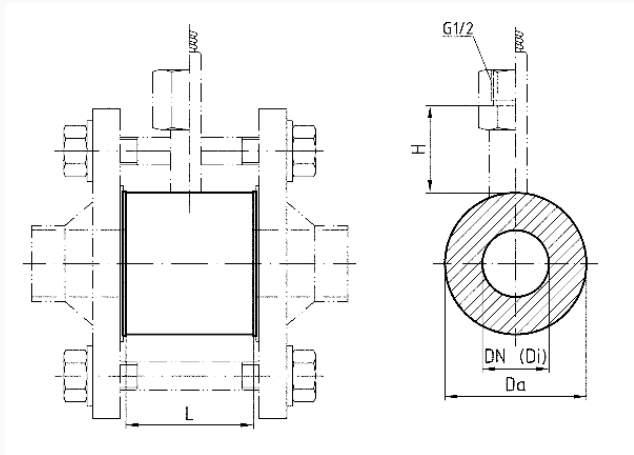
see overview of versions

Nominal pressure

PN 4-400

Technical Drawings

intermediate flange version for flanges as per EN 1092-1 type B 2



DN	Di	PN	Da	L	H
25	28,5	4-400	68	100	29
40	43,1	4-400	88	100	29
50	54,5	4-400	100	100	29
65	70,3	4-400	120	100	29
80	82,5	4-400	138	60	29

Versions

Process connection	Nominal diameter	Instrument connection	Nominal pressure	minimum range* (in bar) at nominal size				Part no.
				63	100	160	DMU	
intermediate flange version for flanges as per EN 1092-1 type B 2	DN 80	G½ female thread	PN 4-400	1.6 bar	2.5 bar	2.5 bar	1 bar	● 31358

- in-stock items
- Non-stock items