



In-line chemical seal RD 50

Part no. 31366W

In-line chemical seals for hygienic processes

benefits

- for dairy fitting DIN 11851
- no T piece required in pipe
- easy, fast installation in pipe

Application

For use with Bourdon tube pressure gauges, pressure transducers or pressure switches. For flowing, corrosive and highly viscous media; designed for direct installation in pipes. Typical application areas:

Biochemical applications
 Food and luxury food industry
 Beverages industry
 Pharmaceutical industry

Technical Specifications

Process connection/tubus

Stainless steel 316 L
 male thread DIN 11851

diaphragm

Stainless steel 316 L, welded to body, no dead space

Instrument connection

Stainless steel 316 L
 Welded connection

Options

- Cooling element (> 100 °C)
- Capillary tube

pressure transmission liquid

Paraffin oil (FM 09), FDA-listed

pressure range

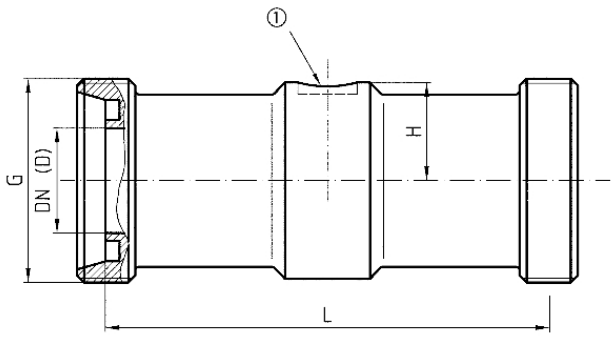
see overview of versions

Nominal pressure

PN 40

Technical Drawings

Type RD 50 - DIN 11851/DIN 11887



Welded connection \varnothing 10 for measuring instrument

DN	PN	G	L	D	H
15	40	Rd34x1/8"	240	16	20
25	40	Rd52x1/6"	110	26	24
32	40	Rd58x1/6"	110	32	29
40	40	Rd65x1/6"	110	38	31,5
50	25	Rd78x1/6"	110	50	37
65	25	Rd95x1/6"	110	66	45
80	25	Rd110x1/4"	60	81	51,5

Versions

Process connection	Nominal diameter	Instrument connection	Nominal pressure	minimum range* (in bar) at nominal size				Part no.	
				63	100	160	DMU		
male thread DIN 11851	DN 40	Welded connection	PN 40	1 bar	2.5 bar	4 bar	1 bar	●	31366W

● in-stock items

● Non-stock items