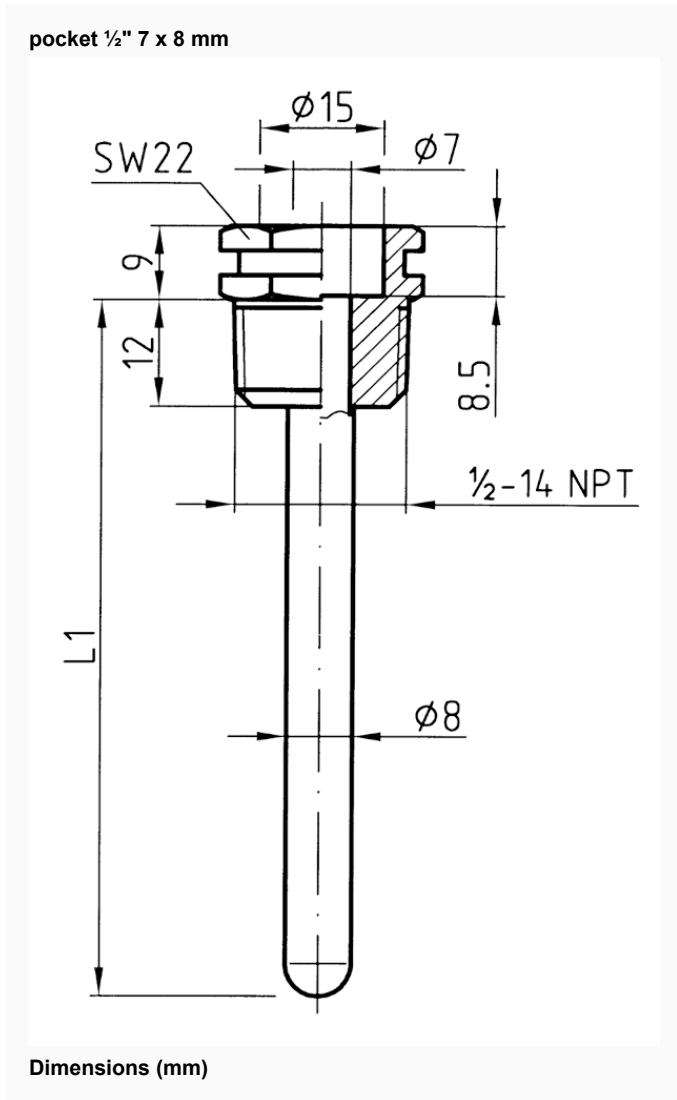


## Pocket 1/2" 7 x 8 mm

Part no. 67321N

pockets for thermometers and thermostats with capillary tube

**Technical Drawings**



**Versions**

| Type                    | material                      | stem     |           |        | Stem length<br>L1 |        | Part no. |
|-------------------------|-------------------------------|----------|-----------|--------|-------------------|--------|----------|
|                         |                               | inside ø | outside ø |        |                   |        |          |
| Pocket<br>1/2" 7 x 8 mm | Brass/Cu alloy, nickel-plated | 7 mm     | 8 mm      | 100 mm | ●                 | 67321N |          |

- in-stock items
- Non-stock items