



Resistance thermometers WTh 22

Part no. 32215

Resistance thermometers

benefits

- for use in air ducts
- Pt100 sensor
- with adjustable mounting flange (stainless steel)

Application

Resistance thermometer especially for use in air ducts

Technical Specifications

Sensor

1 x
3-wire
Class B, IEC 751

Probe

Ø 8 mm, Perforated
Stainless steel 316 Ti

Process connection

mounting flange ø 40 mm, adjustable
Stainless steel

Installation length

100 mm

Electrical connection

Cable gland

Housing

impact-resistant plastic
W x H x D: 58 x 64 x 36 mm

Degree of protection

IP 54 (EN 60529)

Measuring range

0/130 °C

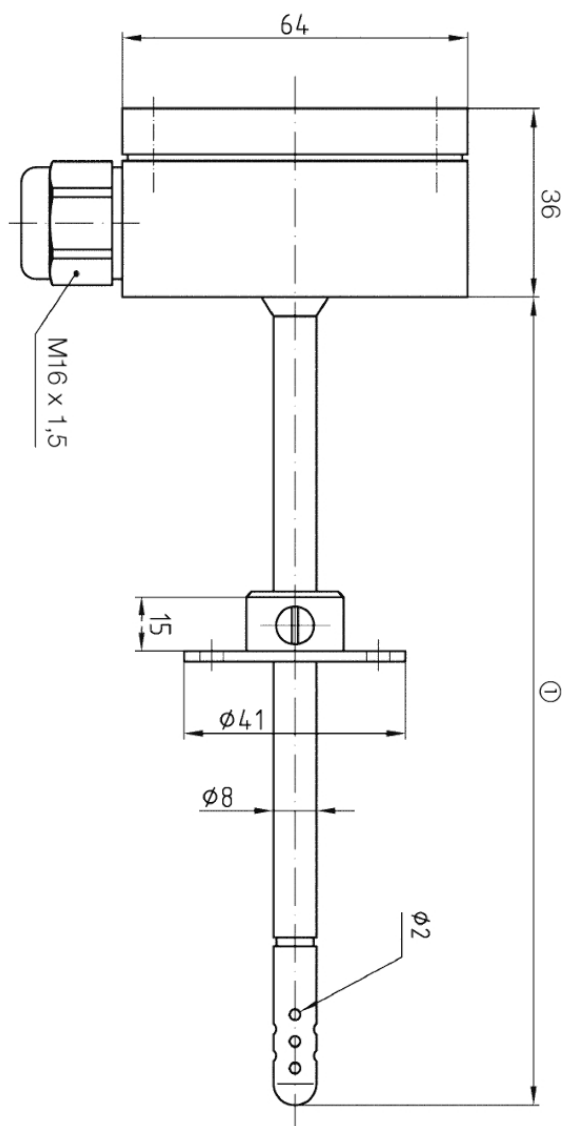
Options

- process connection G $\frac{1}{2}$ B (compression fitting or fixed male connection)
- Sensor class A
- sensor Pt1000

- Transmitter installation (standard: 0/100 °C = 4-20 mA)

Technical Drawings

Type WTh 22



Dimensions (mm)
Installation length

Versions

		Installation length		Part no.
	Resistance thermometers WTh 22	100 mm	●	32215

- in-stock items
- Non-stock items