

## Vibration level switch VibraFox GVG 11

**Part no. 56166**

**vibration level switch for liquids**



### benefits

- compact design
- WHG approval
- maintenance-free
- high resistance to chemicals
- versatile process connections
- Commissioning without calibration

### Application

Suitable for detecting limit levels in liquids with a maximum dynamic viscosity of 10,000 mPa · s and a minimum density of 0.7 kg/dm<sup>3</sup>. Specially useful in cases in which floating switches cannot be used due to currents, turbulence or adherence. Ideally suited as an overflow alarm or for dry-run protection. Due to the WHG approval, VibraFox® can be used as part of an approved overflow prevention system.

### Description

The vibration fork of VibraFox® is excited to its resonance frequency. When the fork comes into contact with the medium, there is a change in frequency which is detected by the electronics and converted into a switching signal. The unique evaluation electronics enable the application of the system even under adverse conditions, e.g. in vibrating tanks or with turbulent liquid surfaces.

### Technical Specifications

#### Density of medium

0.7 – 2.5 kg/dm<sup>3</sup>

#### dynamic viscosity of the medium

0.1 – 10000 mPa · sec

#### Flow rate

max. 6 m/s (at a viscosity of 10,000 mPa · s)

#### Operating temperature range

Medium: -40/+100 °C

Ambient: -40/+70 °C

#### Process pressure

-1/+64 bar

#### Process connection

G<sup>3</sup>/<sub>4</sub>A

#### Housing

Stainless steel 316 L

cap: PEI

Vibration fork: Stainless steel 316 L

#### Supply voltage

3-wire

DC 10 – 55 V

**load current**

3-wire  
max. 250 mA

**Power input**

3-wire  
max. 0.6 W

**Output**

3-wire  
transistor (PNP)

**Switching delay**

after transition dry - wetted: 0.5 s,  
after transition wetted - dry: 0.5 s

**Switching point**

installation from top: 11 mm,  
installation from bottom: 34 mm  
(in water at 25 °C)

**Options**

- other process connections (e.g. NPT, Clamp, dairy fitting)
- surface roughness  $R_a < 0.8 \mu\text{m}$
- other electrical connections
- Coupling relay (only for DC version)
- extended operating temperature range -40/+150 °C (medium)

**Switching hysteresis**

vertical installation: Approx. 2 mm,  
horizontal installation: 2 mm  
(in water at 25 °C)

**visual indication**

Bi-colour LED green/red

**Function test**

with test magnet (included)

**Electrical connection**

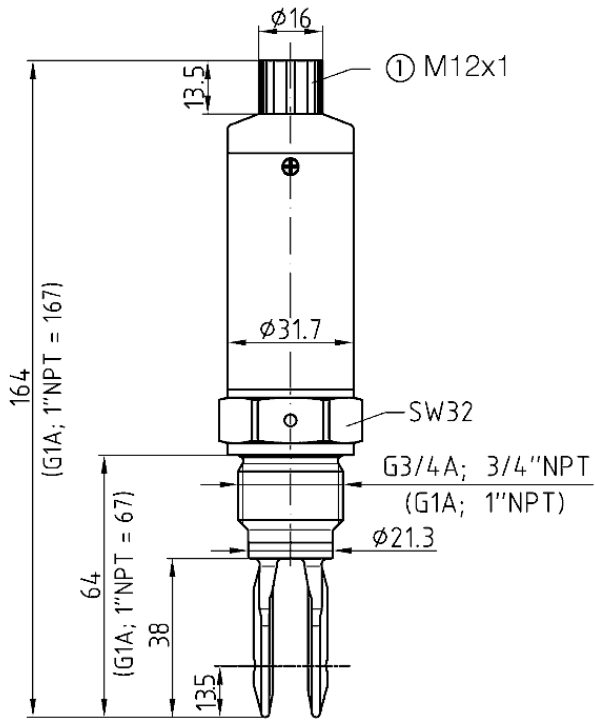
IP 67 (EN 60529)

**approval for construction products**

DIBt: Z-65.11-412

**Technical Drawings**

**GVG 11 HT - high temperature version**



**Dimensions (in mm)**  
Protective cover thread

**Versions**

	Installation length		Part no.
Vibration level switch VibraFox GVG 11	64 mm	●	56166

- in-stock items
- Non-stock items