

display and control unit DA 12

Part no. 31282

digital display units DA 10/12/14



benefits

- grey display with excellent readability
- automatic off function for the backlight
- text-based user interface
- Bearing charts for cylindrical horizontal tanks and spherical tanks are pre-programmed
- Linearisation for volume indication (24 points)
- list of selectable units, custom display units can be defined
- scalable units, displayed as bar chart
- extended representation of limit values: window/trend functions
- universal power supply unit
- integrated supply voltage for transducer (e.g. DMU 08)

Application

Universal application for electronic transducers for displaying measured values (DA 10), optionally with additional relay outputs (DA 12/14).

Description

Digital display unit in plastic housing for control panel mounting. With grey display and automatic off function for the backlight. The universal measurement input can be configured as a current input or a voltage input. Standard bearing charts for cylindrical horizontal tanks and spherical tanks are pre-programmed, additional units can be selected or set up. The units are scalable and shown as bar charts. Limit values can be displayed via a window and a trend function (rising/falling). With display message (flashing error text) if values are exceeded, parameter backup for restoring previous configurations and potentiometer for test purposes.

Technical Specifications

Display

5-digit graphical LC display,
with backlight,
text-based user interface,
User interface language selectable (English/German/French/Italian),
freely selectable units,
custom display units can be defined

Measuring range

± 99999 Digits
start and end values scalable as required

Linearity

± 0.1 % v. Mw.

Resolution

Decimal point position can be set as required

Response time

< 0.2 s

Operating temperature range

Ambient: 0/50 °C

Supply voltage

AC 50 – 253 V, 4.4 VA
DC 20 – 253 V, 2.5 W

Sensor supply

integrated, galvanically isolated supply voltage for transducer:
≥ DC 21 V at 20 mA

Sensor input

all analogue standard signals, e.g. 4–20 mA, 0–20 mA, 0–1 V, 0–10 V
as well as potentiometer

Analogue output

0/4–20 mA, galvanically isolated

Analogue output 2

DA 12

0–10 V, galvanically isolated

Switching output

relay contacts: DA 12

2 voltage-free changeover contacts

switching hysteresis adjustable

Contact rating: AC 250 V, 2 A, 100 VA

Housing

Standard rack mounting housing

W x H x D: 96 x 48 x 135 mm

Panel cut out

W x H: 92 x 45 mm

Degree of protection (front)

IP 65 (EN 60529)

Electrical connection

Plug-in screw terminals (1.5 mm²)

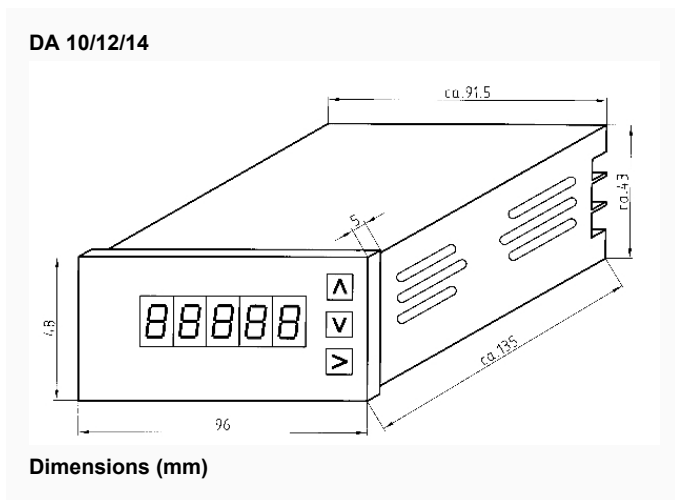
Linearisation

customer-specific linearisation with a max. of 24 points for the indication of volume (e.g. litres) in non-linear tanks. Bearing charts for cylindrical horizontal tanks and spherical tanks are pre-programmed.

Min./max. value memory

The highest and lowest values reached during operation can be displayed.

Technical Drawings



Versions

	Part no.
display and control unit DA 12	31282

- in-stock items
- Non-stock items