



Bourdon tube pressure gauge RF63 rad

Part no. 63515

Bourdon tube pressure gauge RF for heating/plumbing

benefits

- with self-sealing connection thread (NG 50 and 63) for fast mounting
- corrosion-resistant housing

Application

For gaseous and liquid media which are not highly viscous, do not crystallise and do not attack copper alloys and EPDM.

! For measuring gas or vapour, observe the table "Selection Criteria as per EN 837-2" (see appendix)!

Technical Specifications

Nominal size

63

accuracy class (EN 837-1/6)

2.5

ranges

0/16 bar

application area

static load: $\frac{3}{4}$ x full scale value

dynamic load: $\frac{2}{3}$ x full scale value

short-term: Full scale value

Operating temperature range

Medium: max. 60 °C

Ambient: -20/+60 °C

Temperature performance

Indication error when the temperature of the measuring system deviates from the normal temperature of 20 °C:

at rising temperature approx. ± 0.4 %/10 K

falling temperature approx. ± 0.4 %/10 K

of full scale value

Degree of protection

IP 32 (EN 60529)

Connection

Brass, bottom

NG 63

G $\frac{1}{4}$ B, Self-sealing with PTFE sealing ring

Measuring element

Bourdon tube, "C" type tube

Copper alloy

movement

Brass

Dial
Plastic, white
Scaling: black

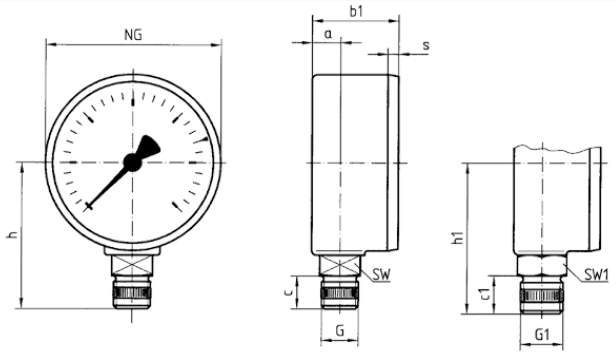
Pointer
Plastic, black

Housing
Plastic (ABS), black, highly impact-resistant and corrosion-resistant

window
Plastic, clipped in
NG 63

Technical Drawings

RF/HZ 63 – bottom connection



Dimensions (mm)

NG	a	b1	c	c1	G	G1	h	h1	s	SW	SW1
63	9,8	29,7	11,2	13	G½B	G¾B	49,5	51,5	3,7	14	17

Versions

	housing ø	Connec- tion	Connec- tion	Thread	alignment	Range	Type		Part no.
RF63	63 mm	G¼B		Self-sea- ling with PTFE sealing ring	bottom	0/16 bar	RF63 rad	●	63515

- in-stock items
- Non-stock items