

Hydrometers HY 80

Part no. 63574

Hydrometers HY for heating/plumbing



Technical Specifications

Nominal size

80

accuracy class (EN 837-1/6)

2.5

ranges

0/6 bar

application area

static load: $\frac{3}{4}$ x full scale value
dynamic load: $\frac{2}{3}$ x full scale value
short-term: Full scale value

Operating temperature range

Medium: max. 60 °C
Ambient: -20/+60 °C

Temperature performance

Indication error when the temperature of the measuring system deviates from the normal temperature of 20 °C:
at rising temperature approx. $\pm 0.4 \%$ /10 K
falling temperature approx. $\pm 0.4 \%$ /10 K
of full scale value

Degree of protection

IP 32 (EN 60529)

Connection

Brass, bottom
NG 80
G $\frac{1}{2}$ B

Measuring element

Bourdon tube, "C" type tube
Copper alloy

movement

Brass

Dial

Plastic, white
dual scale bar outer - mWC inner
Scaling: black

Pointer

Plastic, black

Housing

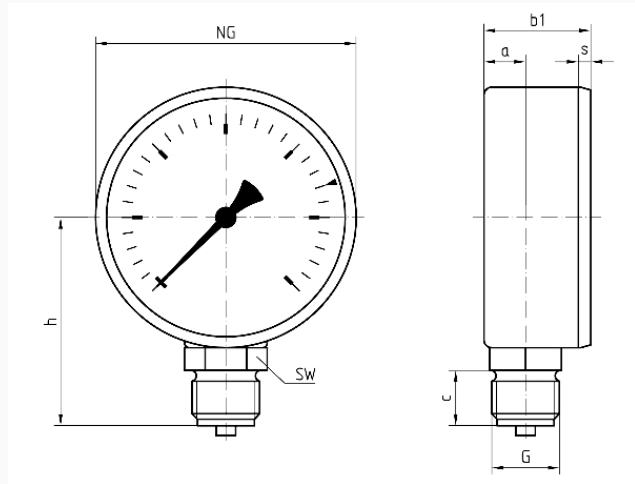
Plastic (ABS), black, highly impact-resistant and corrosion-resistant

window

Plastic, clipped in
with adjustable red reference pointer

Technical Drawings

RF 80/HY 80/HZ 80 – bottom connection



Dimensions (mm)

NG	a	b1	c	G	h	s	SW
80	12,8	32,8	17	G½B	64	2,8	14

Versions

	housing ø	Conne- tion	Conne- tion	Thread	alignment	Range	Type	Part no.
HY 80	80 mm	G½B			bottom	0/6 bar	HY 80	63574

● in-stock items

● Non-stock items