



## Bourdon tube pressure gauges for high pressure RF160HDGly

Part no. 85277802

Bourdon tube pressure gauges for high pressure

### benefits

- for pressure ranges up to 4,000 bar
- Housing with solid baffle wall and blow-out

### Application

For measurement of extremely high pressures in gaseous and liquid corrosive media which are not highly viscous and do not crystallise; also suitable for corrosive atmospheres.

### Technical Specifications

#### Type

D8

#### Nominal size

160

#### accuracy class (EN 837-1/6)

1.0

#### ranges

0/2500 bar

#### application area

static load: Full scale value  
dynamic load:  $\frac{2}{3}$  x full scale value

#### Operating temperature range

Medium: max. 100 °C  
Ambient: -20/+60 °C

#### Temperature performance

Indication error when the temperature of the measuring system deviates from the normal temperature of 20 °C:  
at rising temperature approx.  $\pm 0.4$  %/10 K  
falling temperature approx.  $\pm 0.4$  %/10 K  
of full scale value

#### Degree of protection

IP 54 (EN 60529)

#### Connection

Stainless steel 316 L, bottom  
HP connection  $\frac{1}{4}$ " with female thread M16 x 1.5 with sealing cone 60°

#### Measuring element

Bourdon tube, NiFe alloy  
helical tube

#### movement

Stainless steel

**Dial**  
Aluminium, white  
Scaling: black

**Pointer**  
Aluminium, black

**Housing**  
Stainless steel 304, with solid baffle wall and blow-out

**Options**

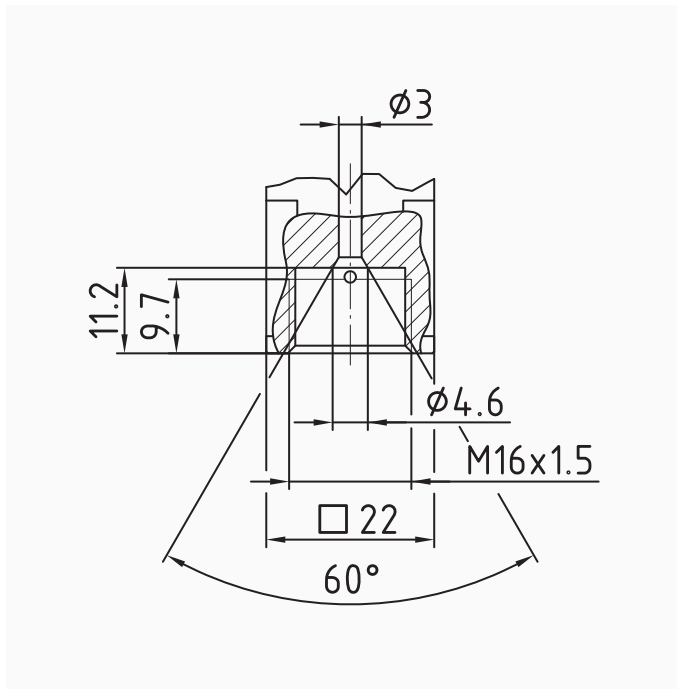
- Glycerine filling (type D802)
- 3-hole fixing, panel mounting bezel
- other process connections

**bayonet bezel**  
Stainless steel 304

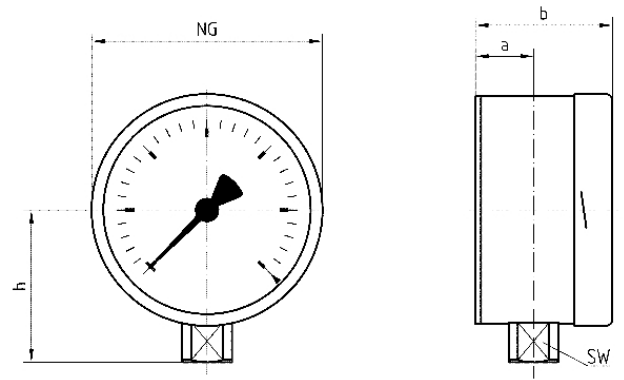
**window**  
Laminated safety glass

**filling liquid**  
glycerine (99.5 %)

**Technical Drawings**



**Bottom connection**



**Dimensions (mm)**

NG	a	a1	b	b1	d1*	d2	d3*	d4	d5	d6	d7	G	h	o	s2	s3	t	t1	u
16034	64	78	108	178	196	5,8	M	2,5	4,3	26	M16	39	63	1,5	8	9,5	11	65	
									5		x								
10027	52	60	90	116	132	4,8	M	2,5	4,3	26	1,5	71	-	1	7	9,5	11	-	
									4										
NG u1 SW																			
16056 22																			
100 - 22																			

\* Maße nach DIN 16064

## Versions

Range	Mounting type	Type		Part number
0/2500 bar	direct	RF160HDGly D802	<input type="radio"/>	85277802

- in-stock items
- Non-stock items