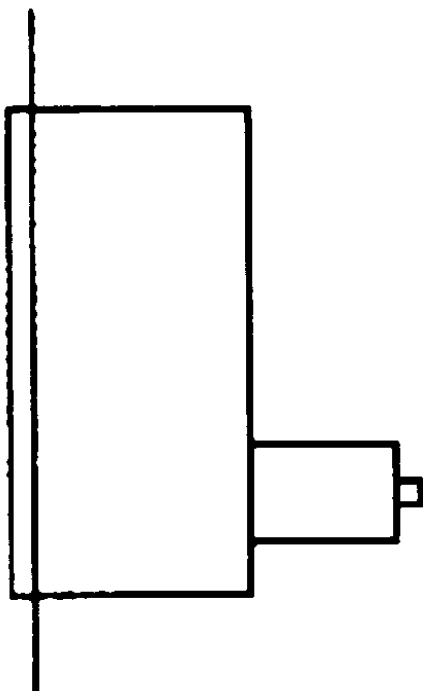


## Precision Bourdon tube pressure gauges RF160ChF

Part no. 85722432

Precision Bourdon tube pressure gauges



### Technical Specifications

**Type**

D4

**Nominal size**

160

**accuracy class (EN 837-1/6)**

0.6

**ranges**

see ordering table

**application area**

static load:  $\frac{3}{4}$  x full scale value  
dynamic load:  $\frac{2}{3}$  x full scale value  
short-term: Full scale value

**Operating temperature range**

Ambient: -20/+60 °C

**Degree of protection**

IP 54 (EN 60529)

**Connection**

stainless steel 316 Ti/316 L, bottom back

**Measuring element**

Bourdon tube  
≤ 60 bar: "C" type tube, stainless steel 316 Ti/316 L  
> 60 bar: helical tube, stainless steel 316 Ti/316 L

**movement**

Brass/nickel silver, jewel bearing

**Dial**

Aluminium, white  
Scaling: black  
NG 160

**Pointer**

knife edge pointer  
Aluminium, black

**Housing**

Stainless steel 304

**bayonet bezel**

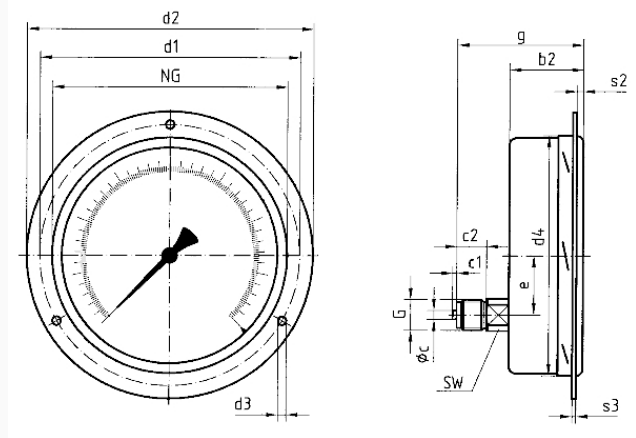
Stainless steel 304

**window**

Plastic (PMMA)

**Technical Drawings**

**NG 160 – bottom back connection, 3-hole fixing, panel mounting bezel**



**Dimensions (mm)**

NG	b2	Øc	c1	c2	d1*	d2	d3*	d4	e	G	g	s2	s3	SW
160	50	6	3	20	178	196	5,8	164	44,5	G½B	82	4	2	22

\* Dimensions as per DIN 16070

**Versions**

Range	Mounting type	Type	Part number
0/250 bar	3-hole fixing, panel mounting bezel	RF160ChF D432	85722432

- in-stock items
- Non-stock items