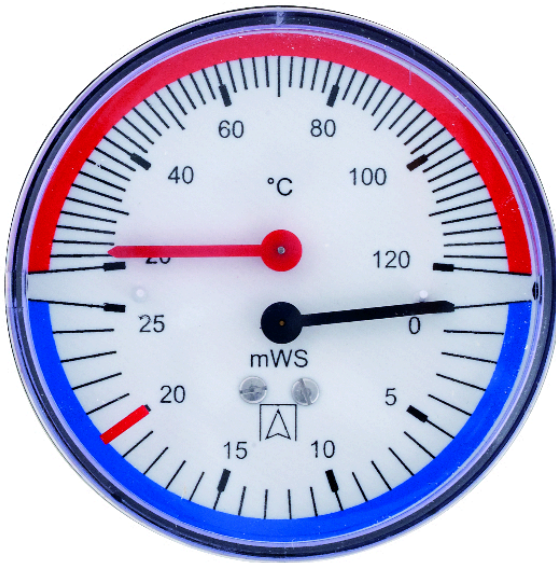


thermometer-hydrometer TH80

Part no. 63315

thermometer-hydrometer



benefits

- pressure and temperature measurement with at a single measuring point
- with self-sealing connection thread for fast installation
- with mounting valve for easy replacement without downtime

Application

For liquid media which are not highly viscous, do not crystallise and do not attack copper alloys. For combined measurement of pressure and temperature, especially in heating systems and heating boilers.

Description

The combined thermometer/pressure gauge / thermo-hydrometer consists of a Bourdon tube measuring system for pressure measurement and a bimetal measuring system for simultaneous temperature measurement. Both values are measured and displayed by a single gauge. A self-closing mounting valve enable easy replacement of the measuring instrument without requiring the system to be drained. An optional M18 x 1 to G $\frac{1}{4}$ adapter is available if the combined thermometer/pressure gauge has to be mounted into an existing thermowell with M18 x 1 female thread.

Technical Specifications

Type

D2

Nominal size

80

accuracy class

Pressure gauges: 2.5 (EN 837-1/6)

Range

pressure: 0/40 mWS

temperature: 20/120 °C

application area

static load: $\frac{3}{4}$ x full scale value

dynamic load: $\frac{2}{3}$ x full scale value

short-term: Full scale value

temperature: Full scale value

Operating temperature range

Medium: max. 120 °C

Ambient: -20/+60 °C

Temperature performance

pressure: Indication error when the temperature of the measuring system deviates from the normal temperature of 20 °C:

at rising temperature approx. ± 0.4 %/10 K

falling temperature approx. ± 0.4 %/10 K

of full scale value

Degree of protection

IP 32 (EN 60529)

Connection

Brass, centre back
G¼B with mounting valve G¼ to R½

Measuring element

pressure: Bourdon tube, Copper alloy
temperature: Bimetal spiral

Dial

Plastic, white
Scaling: black with red/blue circular arcs

Pointer

pressure: Plastic, black
temperature: Plastic, Red

Housing

Sheet steel, black

window

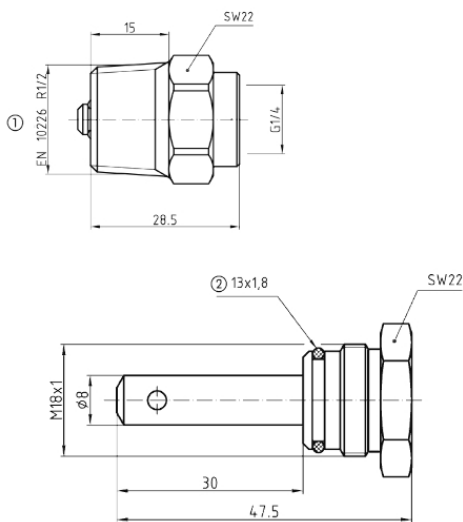
Plastic, clipped in with adjustable red mark

Options

- Adapter M 18 x 1 to G¼
- special scales
- other process connections

Technical Drawings

Mounting valve and adapter



Dimensions (mm)

pipe thread
O ring (NBR)

Versions

housing ø	Housing	mounting position	Adapter	Range		Type		Part no.
				pressure	temperatu- re			
80 mm	Sheet steel, black	centre back		0/40 mWS	20/120 °C	TH80 D211	●	63315

● in-stock items

● Non-stock items