



Capsule pressure gauges for chemical applications KP160Ch

Part no. 35156402

Capsule pressure gauges for chemical applications Type D4

benefits

- with zero correction
- robust stainless steel housing (with bayonet bezel)
- wetted parts and movement made of stainless steel
- GOSSTANDART-certified
- Ex version (optional)

Application

For corrosive gaseous and dry media, also for use in corrosive environments.

Technical Specifications

Type

D4

Nominal size

160

accuracy class (EN 837-3/6)

1.6

ranges (EN 837-3/5)

see ordering table

application area

static load: Full scale value
dynamic load: 0.9 x full scale value
overload safety: 1.3 x full scale value

Operating temperature range

Medium: max. 100 °C
Ambient: -20/+60 °C

Temperature performance

Indication error when the temperature of the measuring system deviates from the normal temperature of 20 °C:
at rising temperature approx. $\pm 0.6 \%$ /10 K
falling temperature approx. $\pm 0.6 \%$ /10 K
of full scale value

Degree of protection

IP 32 (EN 60529)

Connection

stainless steel 316 Ti/316 L, bottom

Measuring element

Capsule element, stainless steel 316 Ti/316 L

movement

Stainless steel

Zero correction

from the front

Seal
FKM (Viton)

Dial
Aluminium, white
Scaling: black

Pointer
Aluminium, black

Housing
Stainless steel 304

bayonet bezel
Stainless steel 304

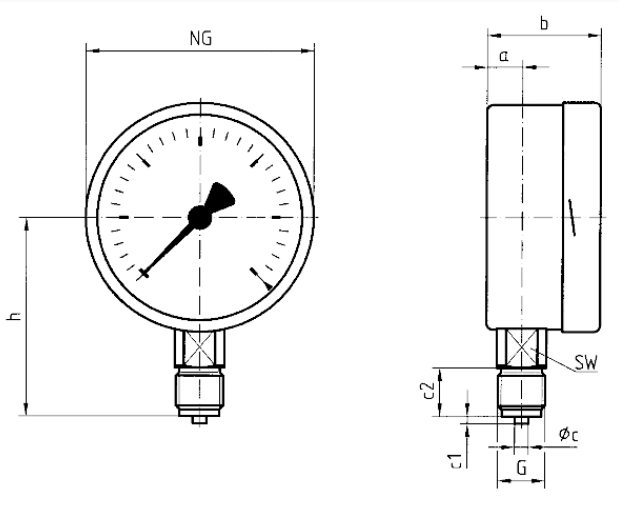
window
D402
Laminated safety glass

Options

- back flange
- Panel mounting bezel
- 3-hole fixing, panel mounting bezel
- Ex version
- throttle screw
- special scales
- other process connections

Technical Drawings

Bottom connection



Dimensions (mm)

| NG | a | b | ∅c | c1 | c2 | G | h | SW |
|-----|------|----|----|----|----|---------------------------------|-----|----|
| 63 | 10,8 | 40 | 5 | 2 | 13 | G ¹ / ₄ B | 53 | 14 |
| 100 | 15,6 | 49 | 6 | 3 | 20 | G ¹ / ₂ B | 86 | 22 |
| 160 | 17,5 | 50 | 6 | 3 | 20 | G ¹ / ₂ B | 116 | 22 |

Versions

| Range | Mounting type | Type | Part number |
|-------------|---------------|-----------------|-------------|
| -60/+0 mbar | direct | KP160Ch D402 | 35156402 |

- in-stock items
- Non-stock items