

Gas filled thermometers FTh 160 Ch

Part no. 64343472

gas filled thermometer for chemical applications

benefits

- for chemical, process engineering and food industry applications
- high measuring accuracy
- fast response

Application

For corrosive media. Meets the most exacting measuring demands, e.g. in process engineering as well as chemical and food industry applications.

Technical Specifications

Type

D4

Nominal size

160

Measuring principle

Pressurised gas filling

accuracy class

1 (EN 13190)

ranges °C

-20/+60

Application area (EN 13190)

continuous load: Full scale value

short-term: 1.1 x full scale value

Operating pressure at thermowell

max. 10 bar (Up to 300 °C)

Degree of protection

IP 65 (EN 60529)

Connection

Stem: Stainless steel 321, Ø 10 mm, plain

mounting position

bottom

Dial

Aluminium, white

Scaling: black

Pointer

Aluminium, black

Zero correction

at the side

movement

Brass

bayonet bezel

Stainless steel 304

Housing

Stainless steel 304

window

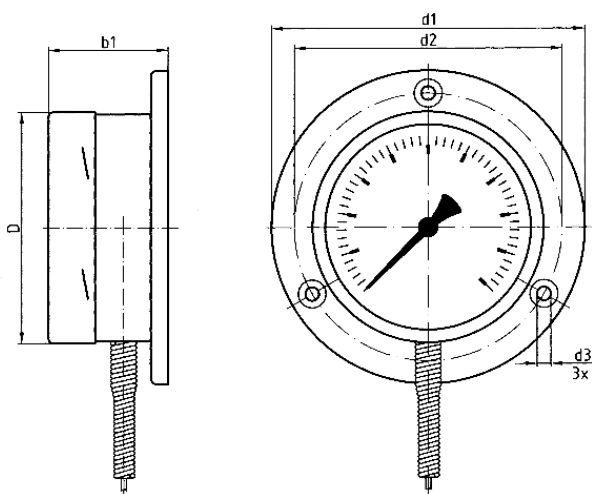
Instrument glass

Options

- Every angle version
- Grooved nut connection as per DIN 11851
- other connection designs
- other nominal sizes
- other ranges
- special scales
- Glycerine filling (type D8)
- back flange
- 3-hole fixing, panel mounting bezel
- Capillary (stainless steel 321)
- special materials
- Electrical contacts

Technical Drawings

Version with capillary and back flange



Dimensions (mm)

NG	b1	D	d1	d2	d3
100	51	101	132	116	5,5
160	51	161	196	178	6

Versions

Type	housing ø	Range	Type	Type	Part no.
FTh 160 Ch	160 mm	-20/+60 °C	FTh 160 Ch	D472	64343472

- in-stock items
- Non-stock items